

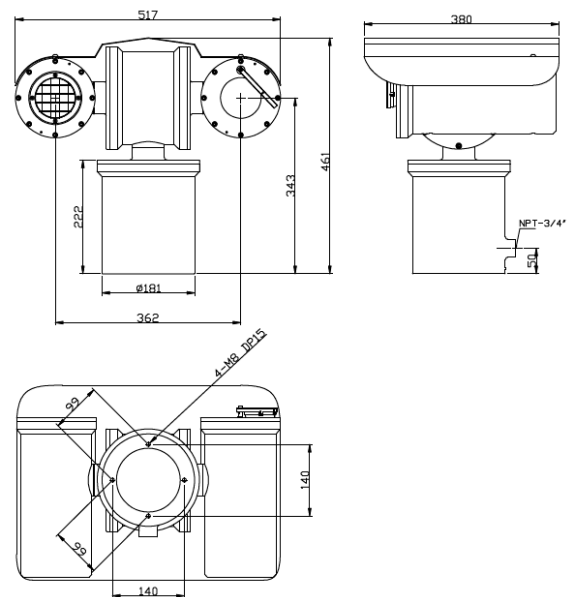
## PTZ Explosion proof housing



### PTZR40 THERMAL EXPLOSION PROOF HOUSING

#### KEY FEATURES

- Suitable for TCIB1 Thermal camera series
- 2mp. D/N 30X optical zoom camera
- Tempered glass for optical camera
- Grid for thermal camera
- Germanium window size Ø80
- Electro-polished AISI 316L stainless Steel
- Casting Ex structure without welding
- IP67 protection level
- Cable outlet : 1 EA (NPT 3/4")
- EX Certificates IECEx / ATEX / NEPSI  
 Ex d IIC T6 Gb, Ex tb IIIC T85°C Db  
 Zone 1,2(Gas, Vapor) Zone 21,22(Dust)



**Specifications:**

	<b>PTZR40</b>
Suitable thermal camera	TCIB1 Series (384x288, 640x480, 1024x768)
Suitable thermal lenses	19-25-35-50mm.
Suitable D/N camera	2mp. resolution 30X optical zoom
Ex certificates	ECEX, ATEX, NEPSI
Ex grade	Ex d IIC T6 Gb / Ex tb IIIC T85°C Db
Material	Electro-Polished AISI 316L Stainless Steel
Window	Tempered Glass Germanium Glass(Ø80)
Pan /Tilt Travel Range	360° Continuous / ± 90°
Pan/Tilt Travel Speed	0.5° - 45°/sec
Preset position	128
Tour	8
IP protection level	IP67
Working temperature	-40°C ~ 67°C
EMC certificates	CE, FCC
Power consumption (housing)	50Watt Max
Input voltage	DC 24V, 50/60Hz., 110 ~ 230VAC, 50/60Hz (Option)
Cable out	1EA (NPT ¾")
Dimension	80(L) x 517(W) x 461(H)mm
Weight (housing)	42Kg.
Options	Wiper/Fan/Heater, window defroster

\* Tanz Security reserves the right to change products or specifications without notice.



Tanz Security S.L.  
Gran Vía 19-21 2 planta  
48001 Bilbao, Spain

Tanz Security Technology Ltd.  
9 Fl, No. 1095, Yucheng Rd.,  
Gushan Dist., Kaohsiung  
80485 Taiwan

www.tanzsecurity.com  
info@tanzsecurity.com  
Tel: +34 944 35 98 41 (HQ)  
Tel: +886 905 186 990 (Support)